

NKX12-Z-XL

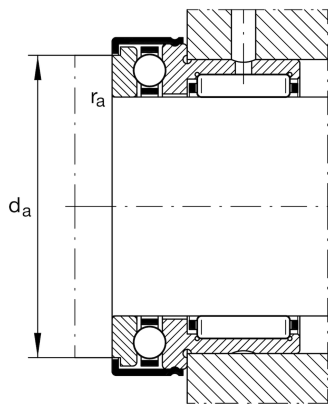
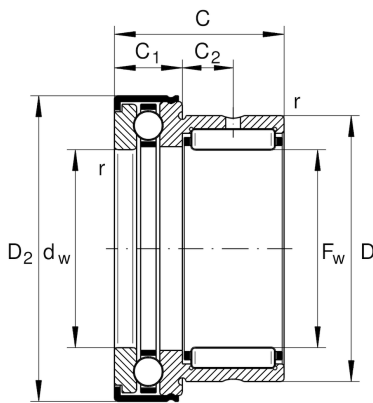
Needle roller/axial ball bearing

Schaeffler ID:
0507475500000

Needle roller/axial ball bearings NKX...-Z, axial component, single direction, to DIN 5429, with end cap, for grease lubrication

X-life

Technical information



Main Dimensions & Performance Data

F_w	12 mm	Bore diameter
D	21 mm	Outside diameter
C	23 mm	Height
C_r	10,100 N	Basic dynamic load rating, radial
C_{0r}	11,000 N	Basic static load rating, radial
C_a	10,300 N	Basic dynamic load rating, axial
C_{0a}	15,400 N	Basic static load rating, axial
C_{ur}	1,950 N	Fatigue load limit, radial
C_{ua}	760 N	Fatigue load limit, axial
n_G	11,000 1/min	Limiting speed
	42.73 g	Weight

Dimensions

$D_{1 \max}$	27.2 mm	Maximum outside diameter flange
	IR9X12X16-XL	Suitable inner rings IR
$D_{2 \max}$	27.2 mm	Maximum outside diameter flange
C_1	9 mm	Width of the axial bearing component
C_1	6.5 mm	Distance to lubrication hole
C_2	6.5 mm	Distance to lubrication hole
d_w	12 mm	Bore diameter of shaft washer
r_{\min}	0.3 mm	Minimum chamfer dimension

Mounting dimensions

d_a	21.7 mm	Mounting dimension shaft shoulder
$r_{a \max}$	0.3 mm	Maximum recess radius

Temperature range

T_{\min}	-30 °C	Operating temperature min.
T_{\max}	120 °C	Operating temperature max.